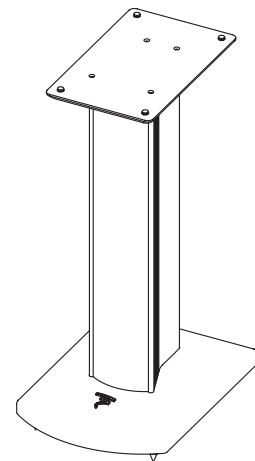
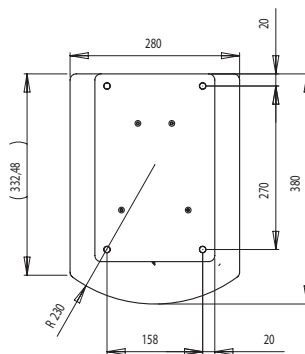
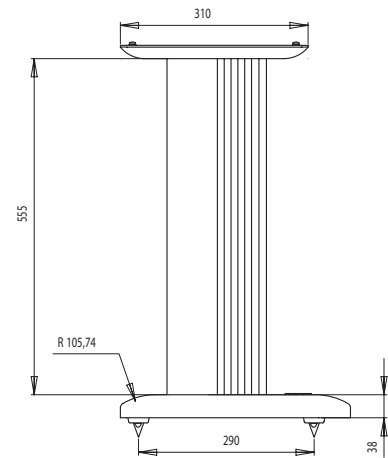
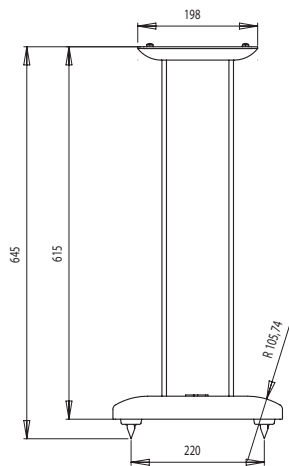


# SMU Stand

Utopia Beryllium line



## Characteristics:

- "Beryllium grey" lacquered aluminum body fulfilled with sand
- slate grey metallic lacquered base and top
- weight: 14kg / 30.8lbs
- 61.5cm high (without points) / 24.2"
- 64.5cm (with points) / 25.3"